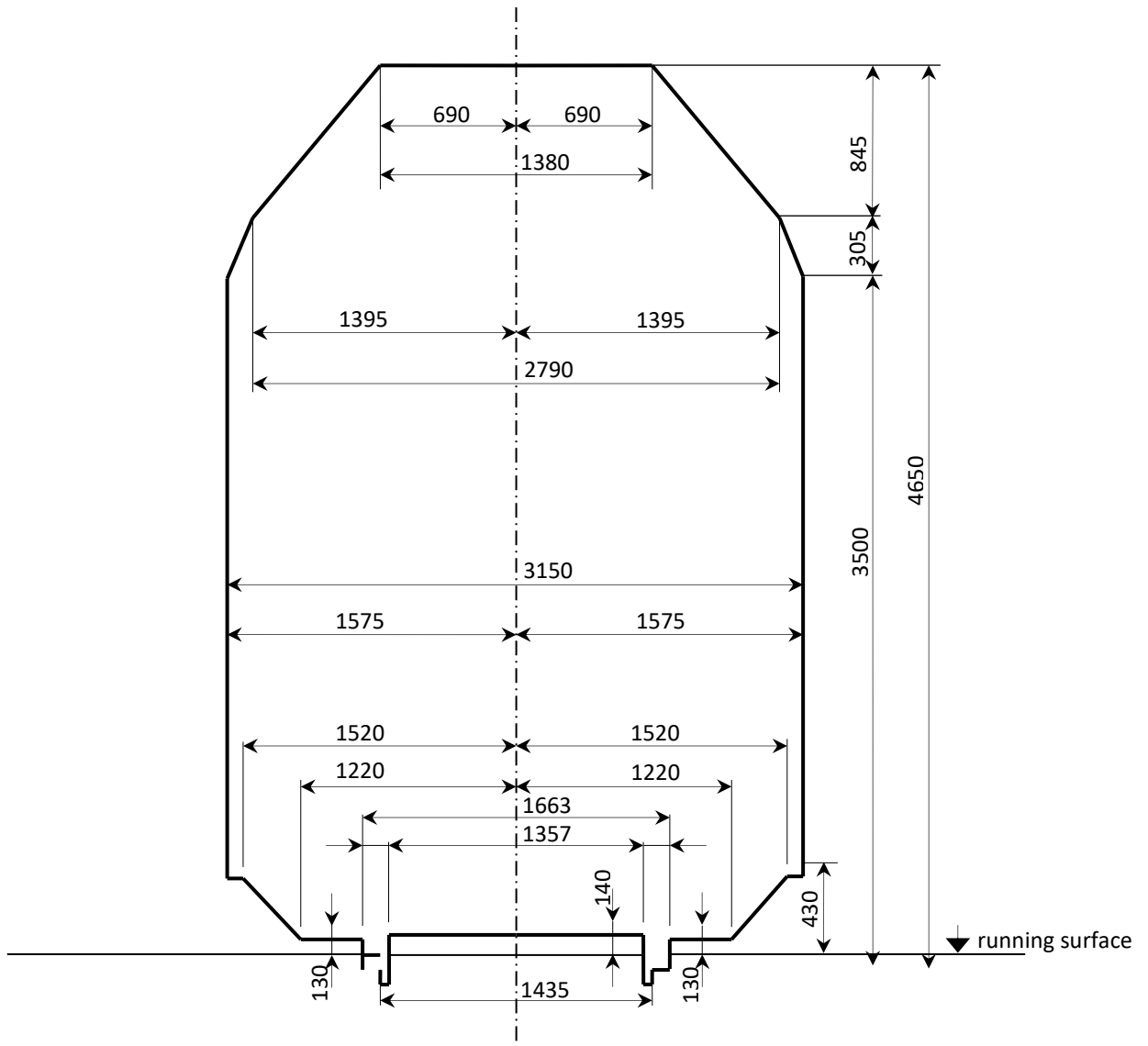
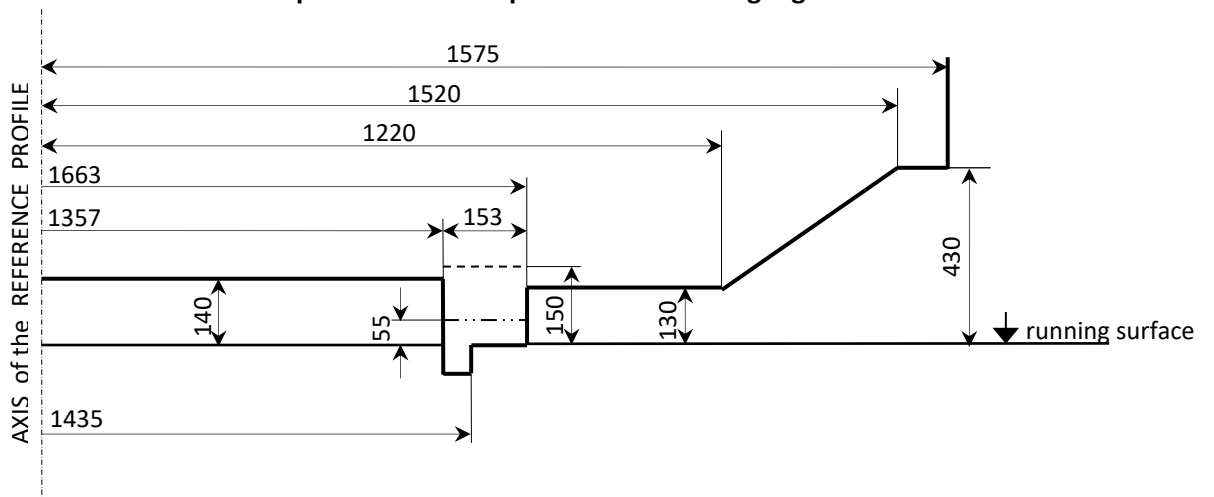


Reference profile of the static gauge Loading gauge ŽSR (NM_{ŽSR})



Lower part of reference profile of the static gauge



Tab. Loading profile half-width

Height over running surface mm	Relevant half-width mm	Height over running surface mm	Relevant half-width mm	Height over running surface mm	Relevant half-width mm	Height over running surface mm	Relevant half-width mm
		3 800	1 398	4 100	1 149	4 400	899
430 3 500 510 520 530 540 3 550	1 575 1 569 1 563 1 557 1 551 1 545	805 810 820 830 840 3 850	1 395 1 391 1 382 1 374 1 366 1 357	- 110 120 130 140 4 150	- 1 141 1 132 1 124 1 116 1 107	- 410 420 430 440 4 450	- 890 882 874 865 857
560 570 580 590	1 540 1 534 1 528 1 522	860 870 880 890	1 349 1 341 1 332 1 324	160 170 180 190	1 099 1 090 1 082 1 074	460 470 480 490	849 840 832 823
3 600	1 516	3 900	1 316	4 200	1 065	4 500	815
610 620 630 640 3 650	1 510 1 504 1 498 1 492 1 466	910 920 930 940 3 950	1 307 1 299 1 291 1 282 1 274	210 220 230 240 4 250	1 057 1 049 1 040 1 032 1 024	510 520 530 540 4 550	807 798 790 782 773
660 670 680 690	1 481 1 475 1 469 1 463	960 970 980 990	1 266 1 257 1 249 1 241	260 270 280 290	1 015 1 007 999 990	560 570 580 590	765 757 748 740
3 700	1 457	4 000	1 232	4 300	982	4 600	732
710 720 730 740 3 750	1 451 1 445 1 439 1 433 1 427	010 020 030 040 4 050	1 224 1 216 1 207 1 199 1 191	310 320 330 340 4 350	974 965 957 949 940	610 620 630 640 4 650	723 715 707 698 690
760 770 780 790	1 422 1 416 1 410 1 404	060 070 080 090	1 182 1 174 1 166 1 157	360 370 380 390	932 924 915 907		
3 800	1 398	4 100	1 149	4 400	899		