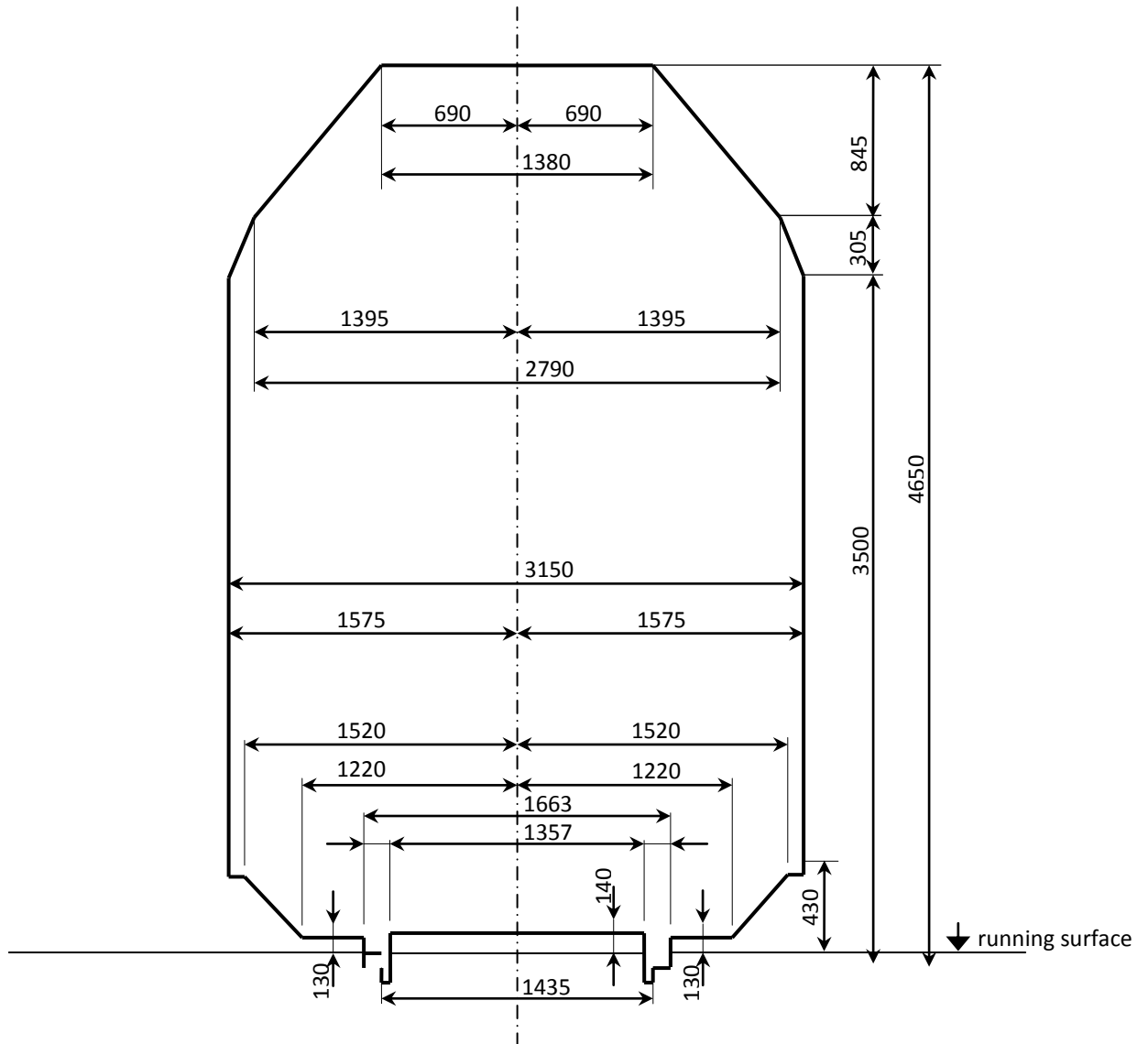
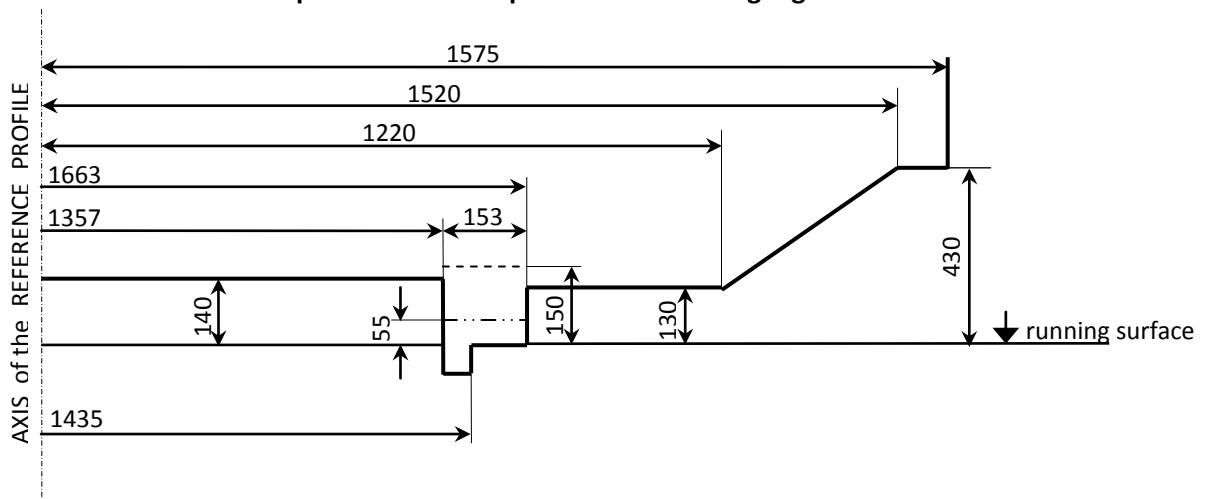


Reference profile of the static gauge Loading gauge ŽSR (NM_{ŽSR})



Lower part of reference profile of the static gauge



Tab. Loading profile half-width

Height over running surface mm	Relevant half-width mm	Height over running surface mm	Relevant half-width mm	Height over running surface mm	Relevant half-width mm	Height over running surface mm	Relevant half-width mm
		3 800	1 398	4 100	1 149	4 400	899
430 } 3 500	1 575	805	1 395	-	-	-	-
510	1 569	810	1 391	110	1 141	410	890
520	1 563	820	1 382	120	1 132	420	882
530	1 557	830	1 374	130	1 124	430	874
540	1 551	840	1 366	140	1 116	440	865
3 550	1 545	3 850	1 357	4 150	1 107	4 450	857
560	1 540	860	1 349	160	1 099	460	849
570	1 534	870	1 341	170	1 090	470	840
580	1 528	880	1 332	180	1 082	480	832
590	1 522	890	1 324	190	1 074	490	823
3 600	1 516	3 900	1 316	4 200	1 065	4 500	815
610	1 510	910	1 307	210	1 057	510	807
620	1 504	920	1 299	220	1 049	520	798
630	1 498	930	1 291	230	1 040	530	790
640	1 492	940	1 282	240	1 032	540	782
3 650	1 466	3 950	1 274	4 250	1 024	4 550	773
660	1 481	960	1 266	260	1 015	560	765
670	1 475	970	1 257	270	1 007	570	757
680	1 469	980	1 249	280	999	580	748
690	1 463	990	1 241	290	990	590	740
3 700	1 457	4 000	1 232	4 300	982	4 600	732
710	1 451	010	1 224	310	974	610	723
720	1 445	020	1 216	320	965	620	715
730	1 439	030	1 207	330	957	630	707
740	1 433	040	1 199	340	949	640	698
3 750	1 427	4 050	1 191	4 350	940	4 650	690
760	1 422	060	1 182	360	932		
770	1 416	070	1 174	370	924		
780	1 410	080	1 166	380	915		
790	1 404	090	1 157	390	907		
3 800	1 398	4 100	1 149	4 400	899		